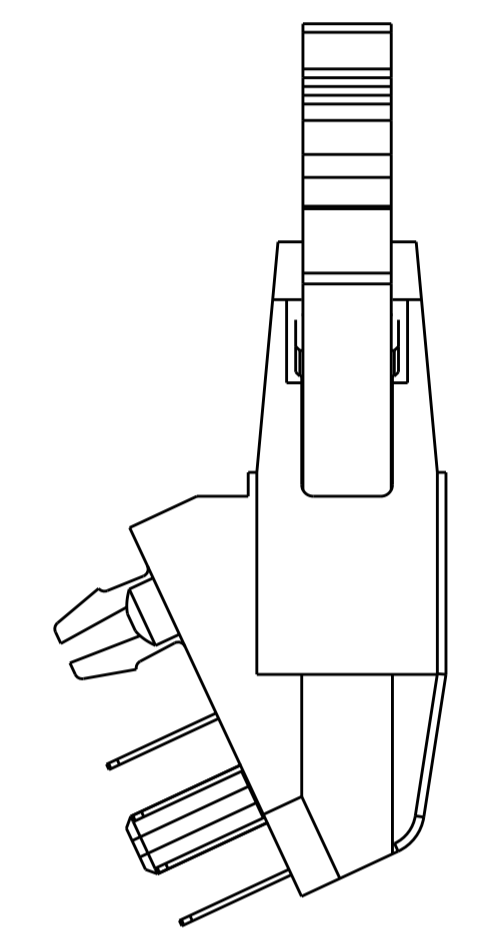
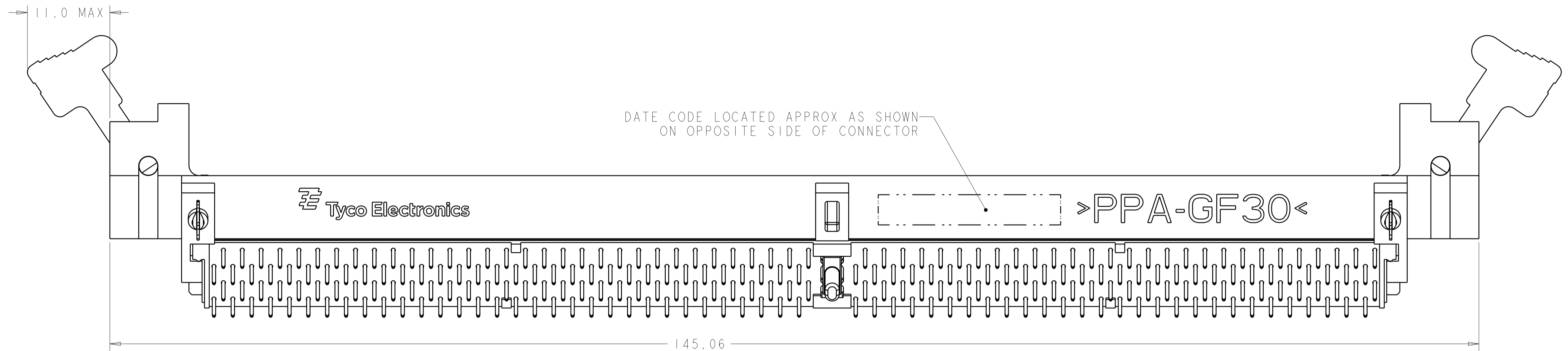
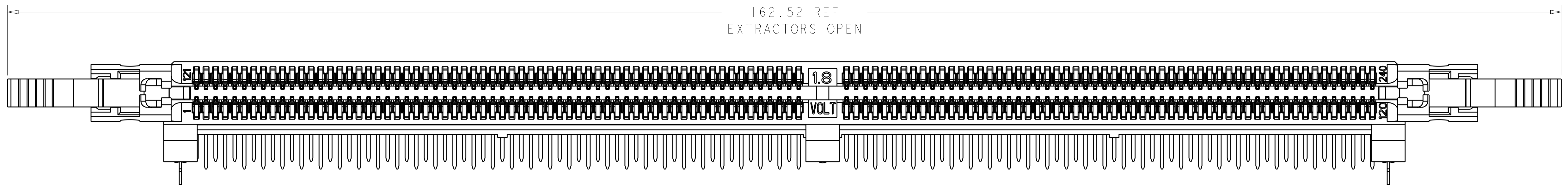
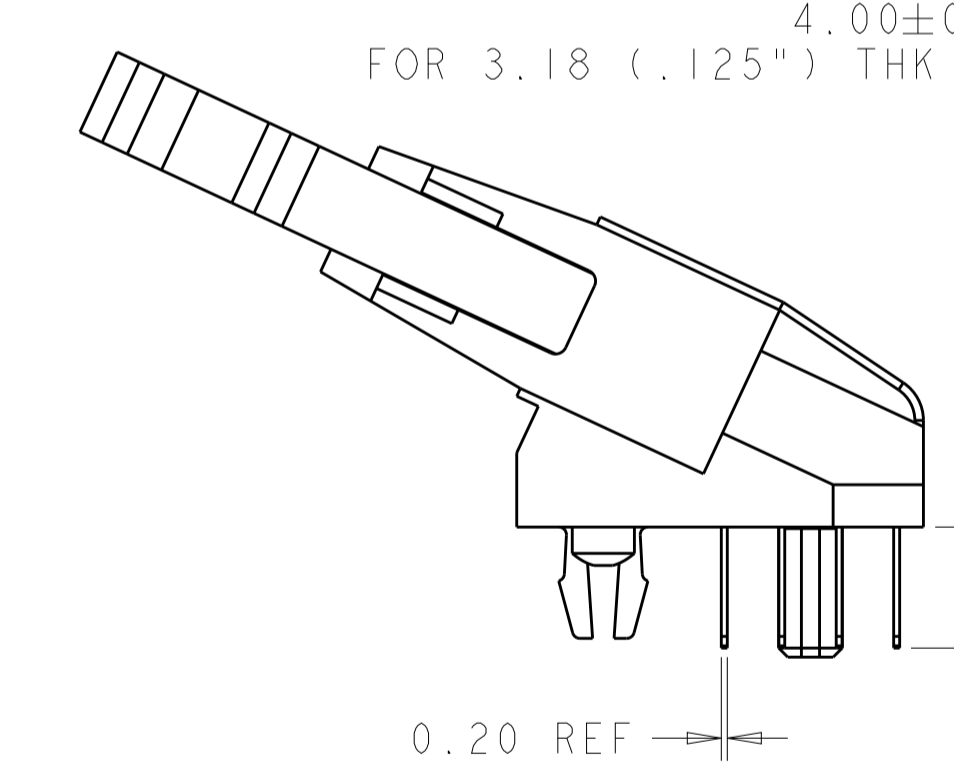
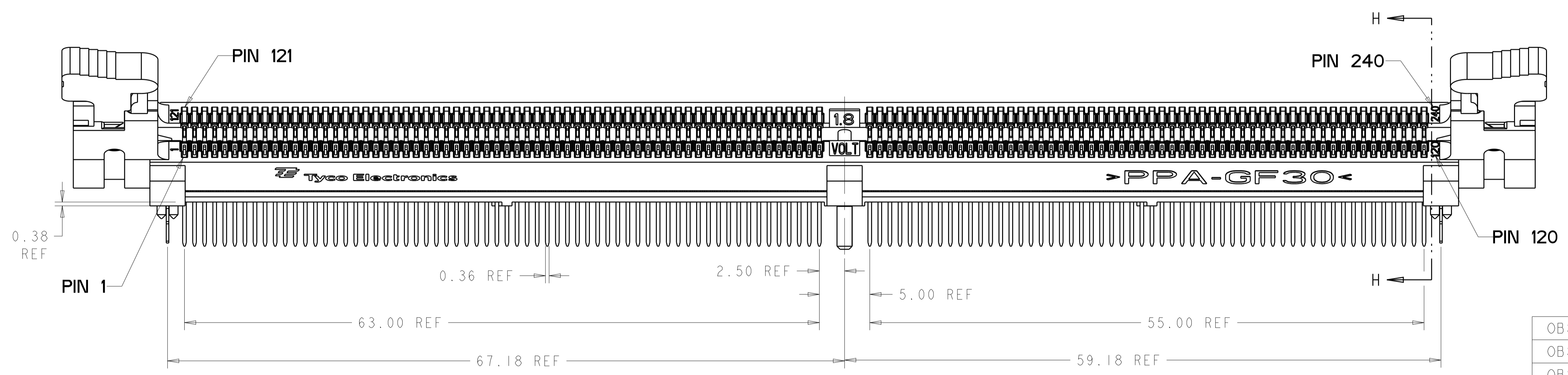


LOC	DIST	REVISIONS					
		P.	LTH	DESCRIPTION	DATE	DWN	APVD
ES	00	A3		REVISED PER ECO-11-005033	09MAY2011	RK	HMR
		A4		ECR-11-013206	27JUN2011	D.P	C.W
		A5		ECR-13-008246	21MAY2013	CC	CW



TAIL LENGTHS

- 2.67±0.25 FOR 1.60 (.063") THK PCB
- 3.18±0.25 FOR 2.36 (.093") THK PCB
- 4.00±0.25 FOR 3.18 (.125") THK PCB



- 1 MATERIALS:
HOUSING: HIGH TEMPERATURE THERMOPLASTIC, BLACK, UL94 V-0
EXTRACTOR: HIGH TEMPERATURE THERMOPLASTIC, NATURAL (OFF WHITE)
CONTACTS: COPPER ALLOY
RETENTION BARB: COPPER ALLOY

- 2 INTERFACE FINISH:
0.00076 MIN THK GOLD OVER 0.00127 MIN THK NICKEL.
0.00038 MIN THK GOLD OVER 0.00127 MIN THK NICKEL.

- 3 SOLDER TAIL FINISH:
0.00300 MIN THK MATTE LEAD FREE PLATING OVER 0.00127 MIN THK NICKEL.

- 4 RIGHT HOLE IS GLOBAL D-E ORIGIN FOR ALL POSITIONAL TOLERANCES.
LEFT AND RIGHT NON-PLATED THRU HOLES ESTABLISH [-E-].

- 5 FINISHED HOLE SIZE. Ø0.15 MAXIMUM ANNULAR RING.

- 6 DATUM [-F-] IS CONNECTOR SIDE SURFACE OF PCB.
7 PORE BLOCKER APPLIED TO CONTACT INTERFACE

CONDITION	MIN	MAX	PART NUMBER
OBSOLETE	0.00008 MIN	4.00	1658912-9
OBSOLETE	0.00008 MIN	3.18	1658912-8
OBSOLETE	0.00008 MIN	2.67	1658912-7
	0.00038 MIN	4.00	1658912-6
	0.00038 MIN	3.18	1658912-5
OBSOLETE	0.00038 MIN	2.67	1658912-4
	0.00076 MIN	4.00	1658912-3
	0.00076 MIN	3.18	1658912-2
	0.00076 MIN	2.67	1658912-1
	CONTACT GOLD INTERFACE	TAIL LENGTH	PART NUMBER

THIS DRAWING IS A CONTROLLED DOCUMENT.

DWN: D. RINGLER 28OCT2003
CHK: J. McCLELLAN 29OCT2003
APVD: J. McCLELLAN 29OCT2003

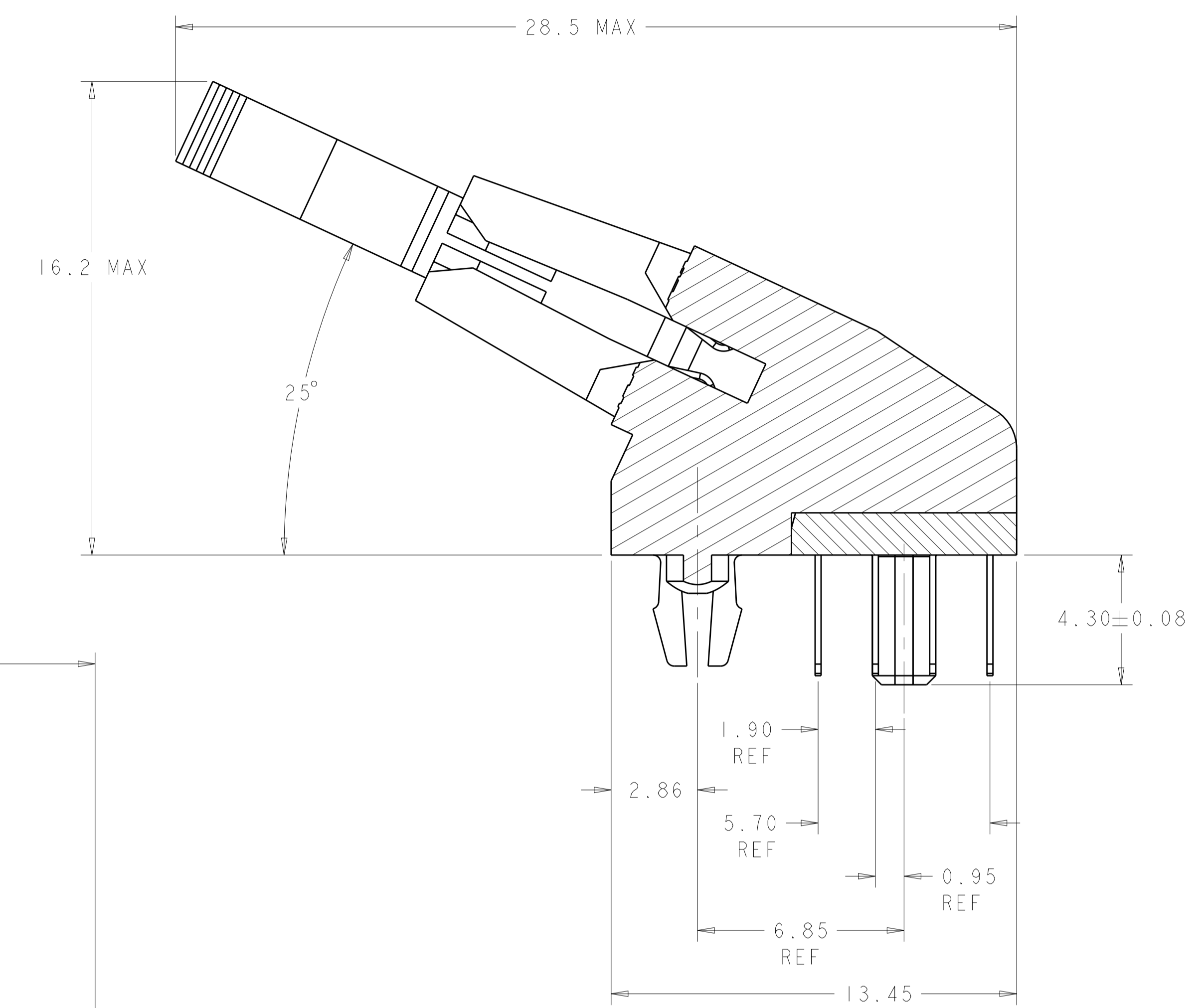
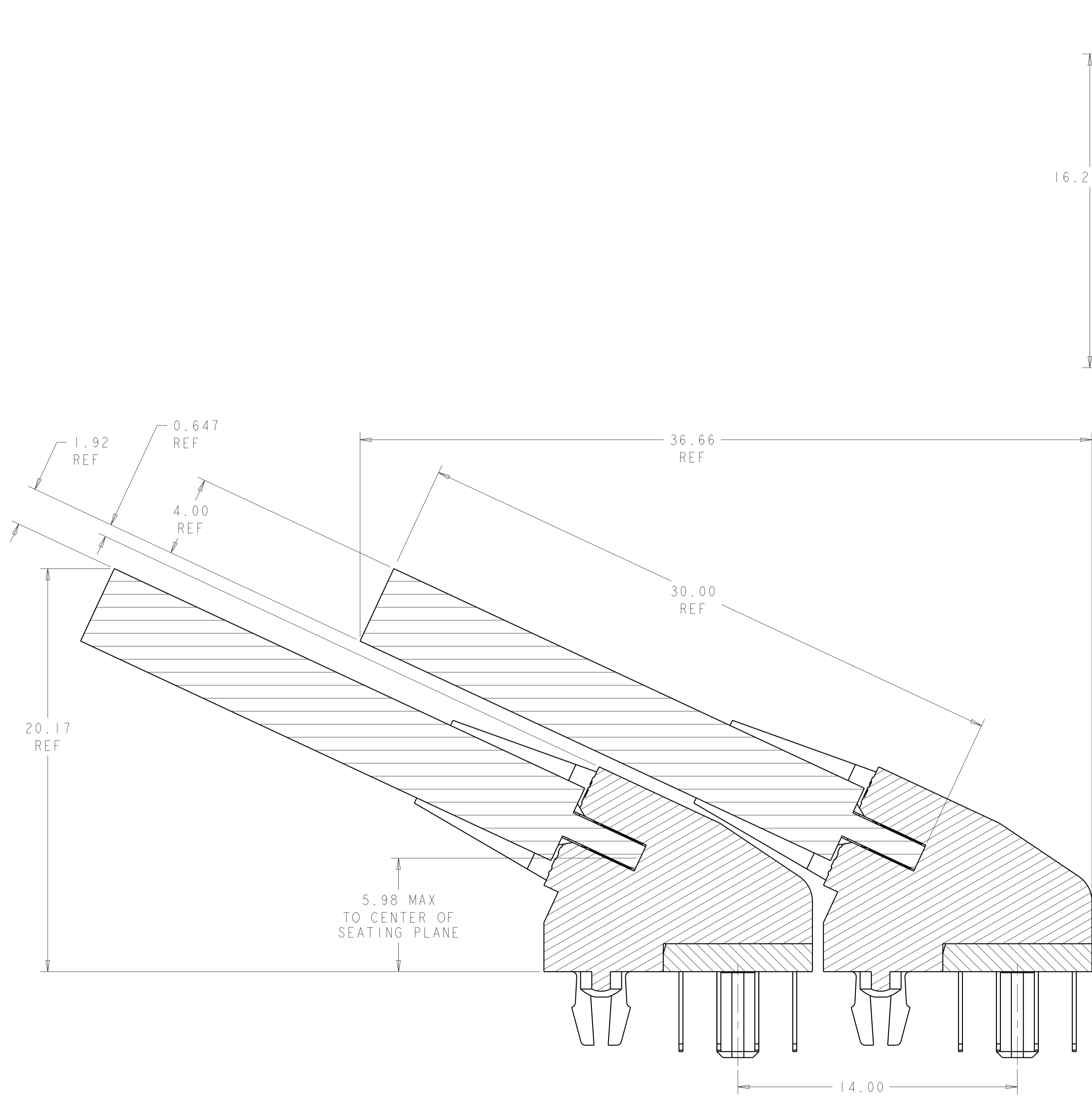
TE Connectivity

SOCKET ASSEMBLY
25 DEGREE DDR II DIMM
240 POSITION, STANDARD FOOTPRINT

SIZE: 108-2168
APPLICATION SPEC: 114-13130
WEIGHT: -
CUSTOMER DRAWING

SCALE: 1:1
SHEET 1 OF 3
REV: A5

LOC	DIST	REVISIONS					
ES	00	P	LTN	DESCRIPTION	DATE	DWN	APVD
		-		SEE SHEET 1	-	-	-



SECTION H-H
 SCALE 8:1

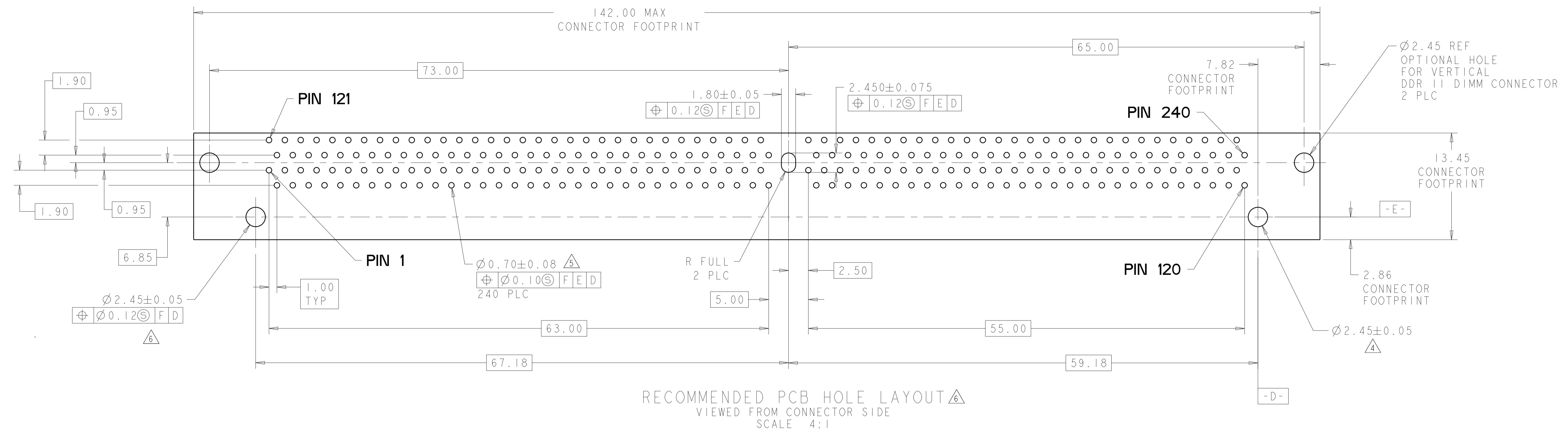
MINIMUM RECOMMENDED ROW TO ROW SPACING
 FOR 4mm THICK MODULE

SCALE 8:1

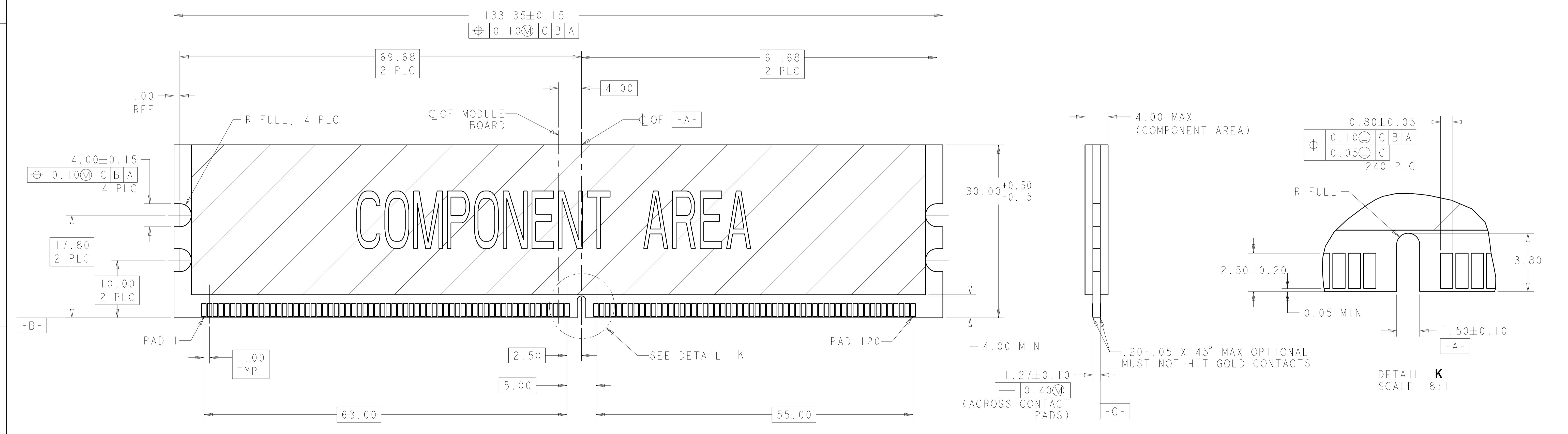
THIS DRAWING IS A CONTROLLED DOCUMENT.		DWN D. RINGLER 28OCT2003	TE Connectivity
DIMENSIONS:		CHK J. McCLELLAN 29OCT2003	
mm	TOLERANCES UNLESS OTHERWISE SPECIFIED:	APVD J. McCLELLAN 29OCT2003	NAME SOCKET ASSEMBLY
0 PLC ±	0 PLC ±0.25	PRODUCT SPEC	240 POSITION, STANDARD FOOTPRINT
2 PLC ±0.15	2 PLC ±0.15	APPLICATION SPEC	SIZE CAGE CODE DRAWING NO RESTRICTED TO
3 PLC ±0.13	3 PLC ±0.13	114-13130	A100779C=1658912
4 PLC ±	4 PLC ±	WEIGHT	SCALE 1:1 SHEET 2 OF 3 REV A5
ANGLES ±	ANGLES ±	CUSTOMER DRAWING	
FINISH	FINISH		

LOC	DIST	REV	DATE	BY	APPV
ES	00				

REVISIONS			
NO.	DESCRIPTION	DATE	BY
-	SEE SHEET 1	-	-



RECOMMENDED PCB HOLE LAYOUT
VIEWED FROM CONNECTOR SIDE
SCALE 4:1



RECOMMENDED MODULE LAYOUT
SCALE 3:1

THIS DRAWING IS A CONTROLLED DOCUMENT.		DWN: D. RINGLER 28OCT2003 CH: J. McCLELLAN 29OCT2003 APV: J. McCLELLAN 29OCT2003	TE Connectivity
DIMENSIONS: mm TOLERANCES UNLESS OTHERWISE SPECIFIED: 0 PLC ±.25 1 PLC ±0.15 2 PLC ±0.15 3 PLC ±0.15 4 PLC ±.15 ANGLES ±.1		PRODUCT SPEC: 108-2168 APPLICATION SPEC: 114-13130 WEIGHT: - CUSTOMER DRAWING	